

FITTING INSTRUCTIONS

TOMTOM SERIE START 40

HOLDER

SEAT LEON 5F

* Not valid for cars with Seat

Sound System fitted

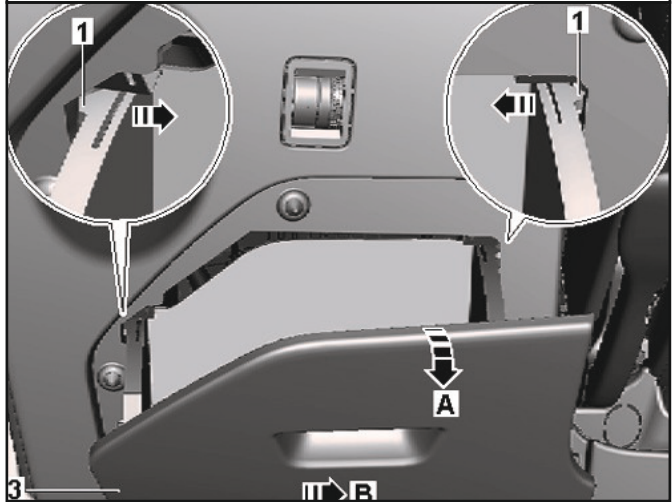


1.- Objects compartment disassembly

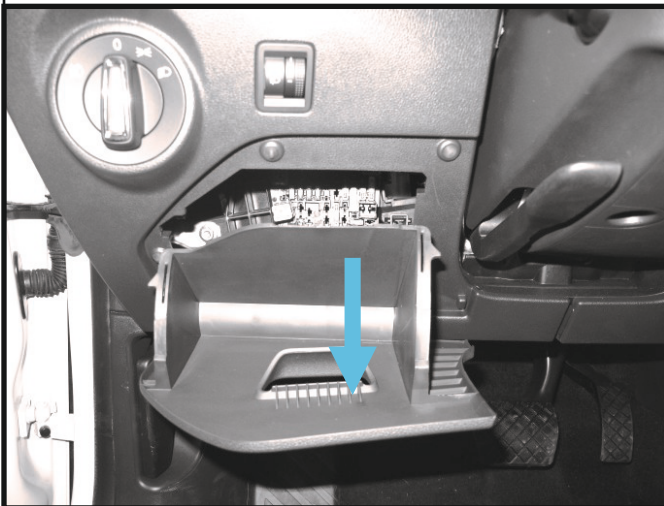
To open objects compartment



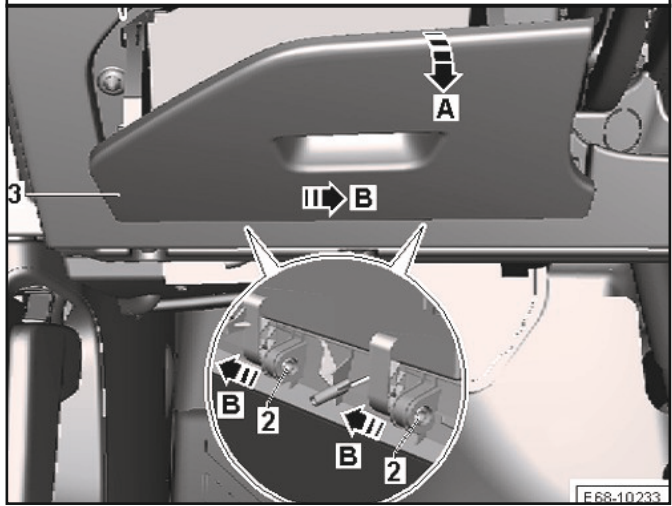
Objects compartment unlocking procedure



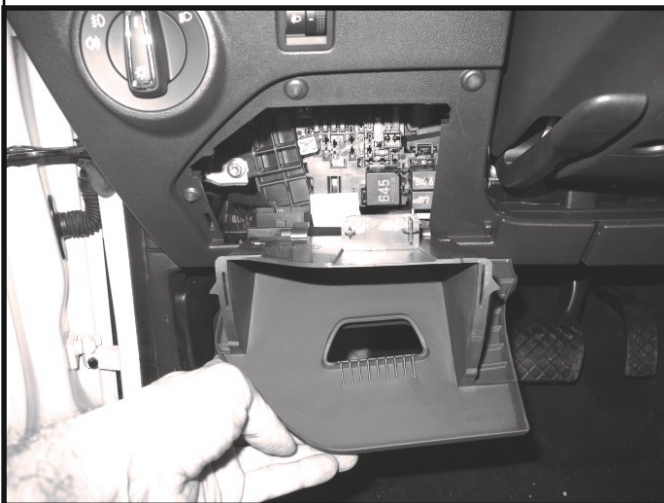
To turn the objects compartment like the image



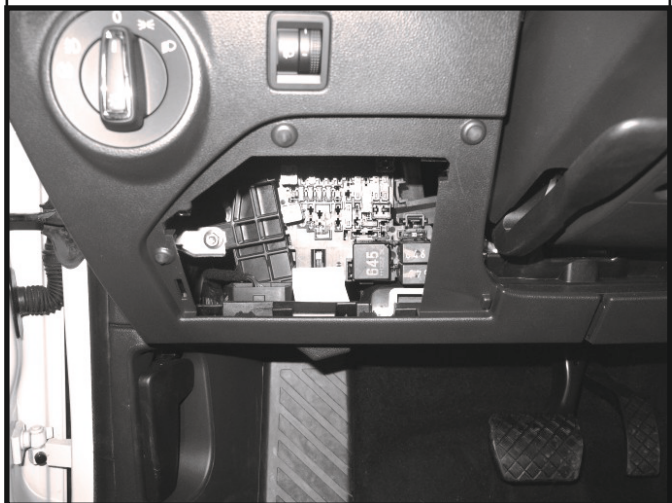
Objects compartment extraction procedure



Objects compartment extraction

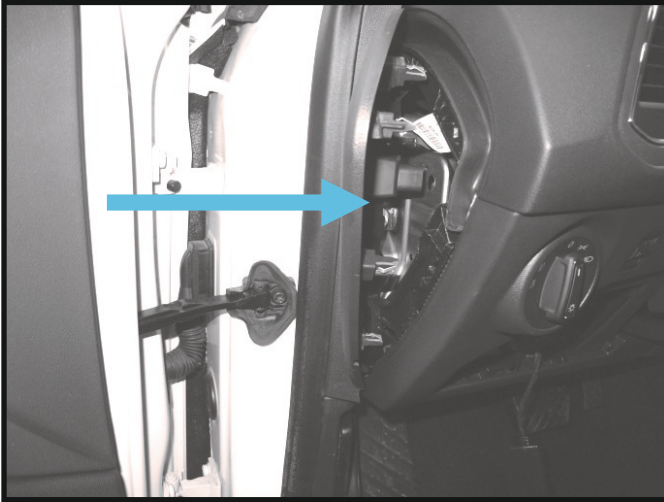


General view of the fuses box

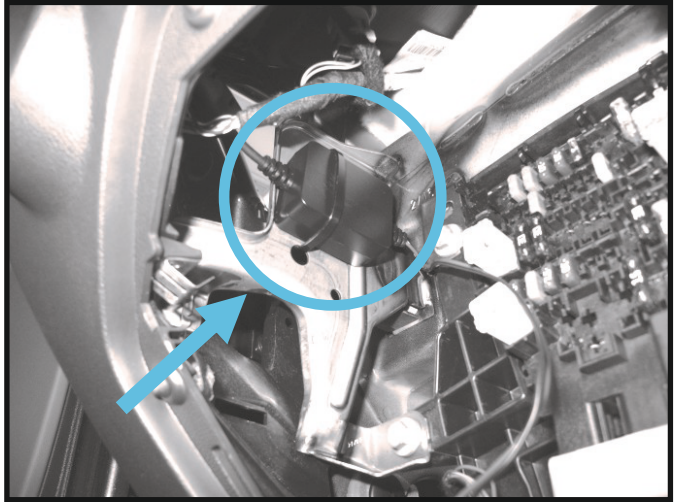


2.- Electrical instalation

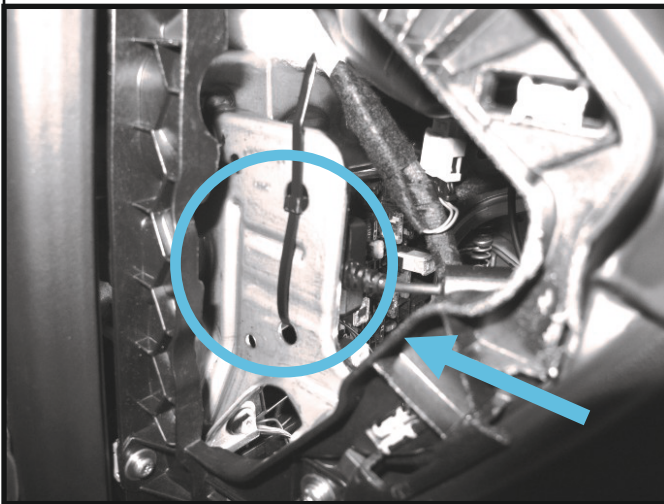
Lateral left lid extraction



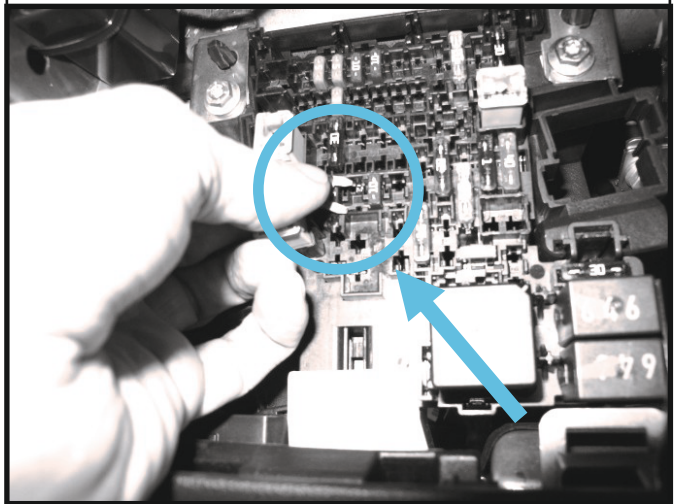
Main unit placement



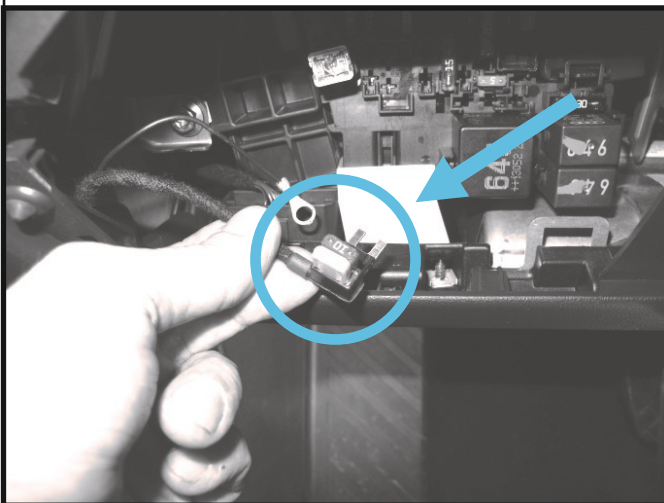
Main unit fixation by means of a fixing tie



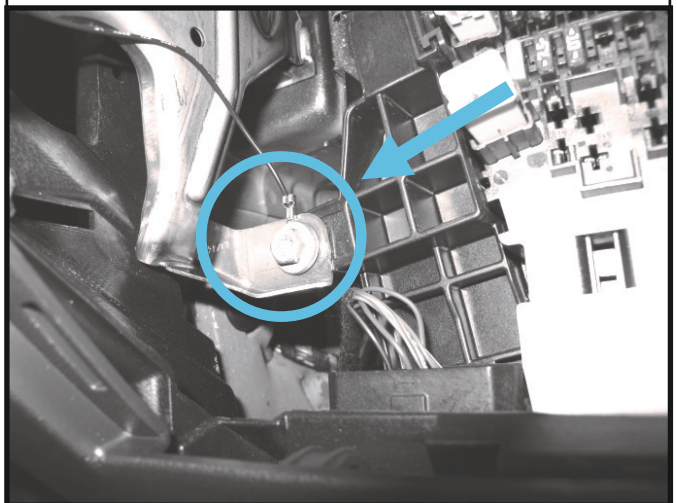
Extraction of the 10A fuse of the position 35



To place the 10A fuse in the double fuse connector and connect it at Pos.35

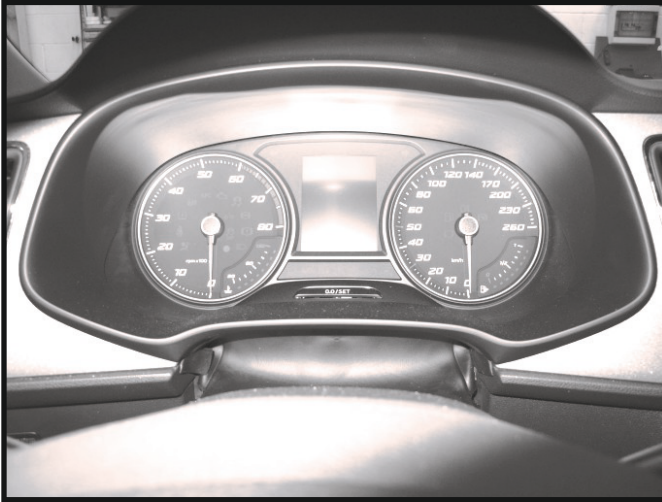


Ground wire connection

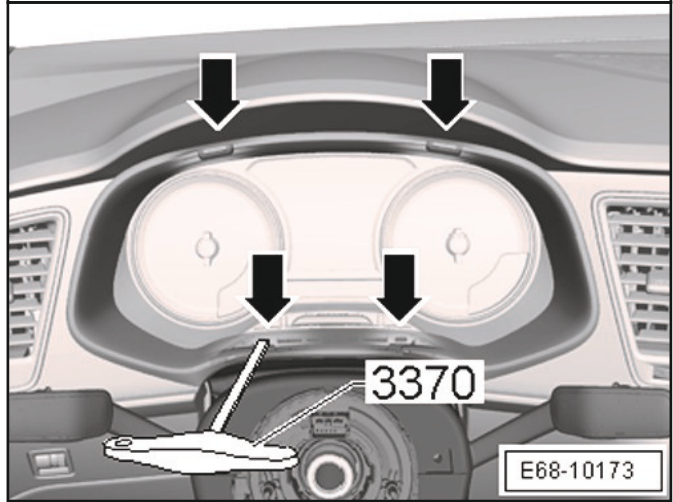


3.- Instrument panel decorative extraction

General view of the instrument panel

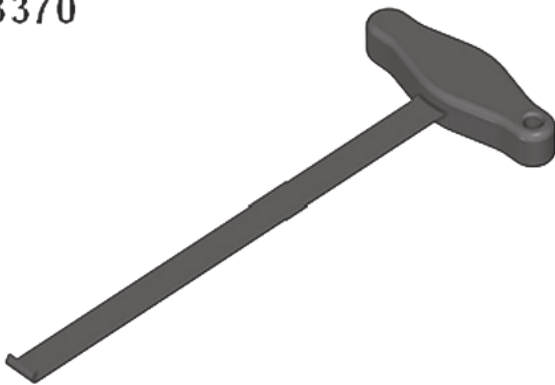


Instrument panel decorative extraction procedure



Necessary tool for the extraction

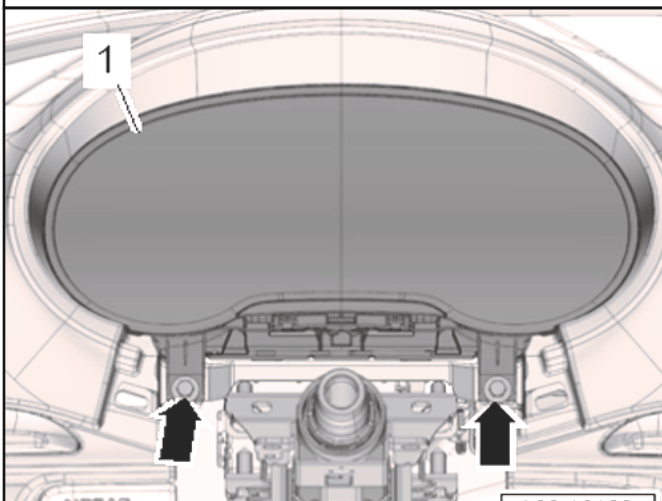
3370



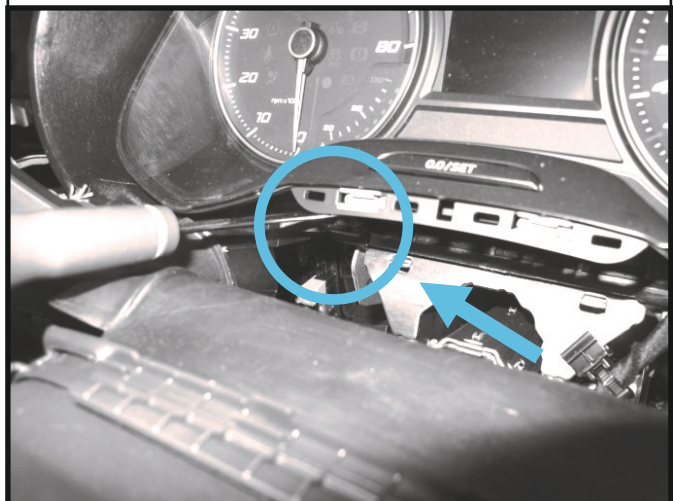
Instrument panel decorative extraction



Instrument panel extraction view

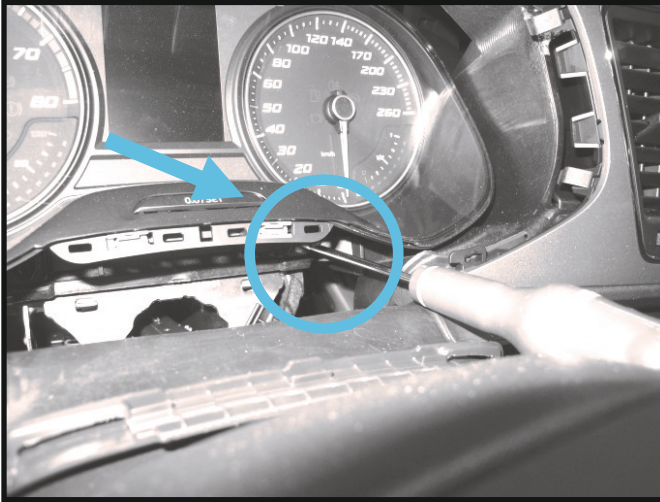


Left screw extraction

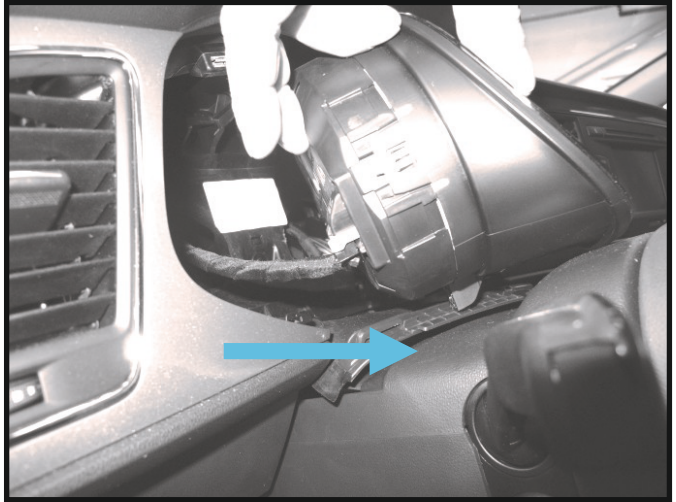


4.- Instrument panel extraction

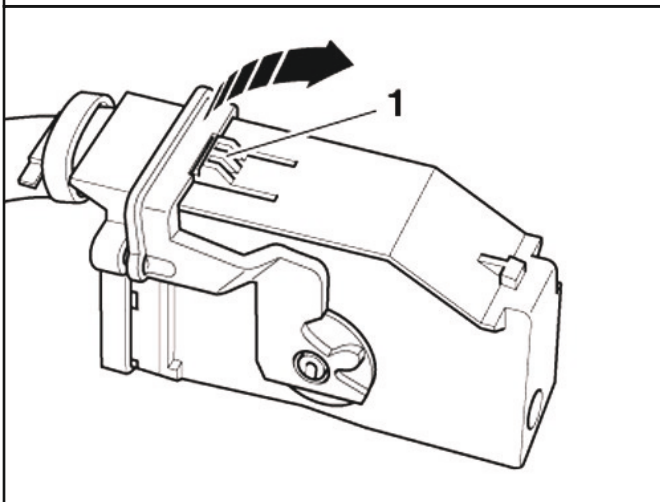
Right screw extraction



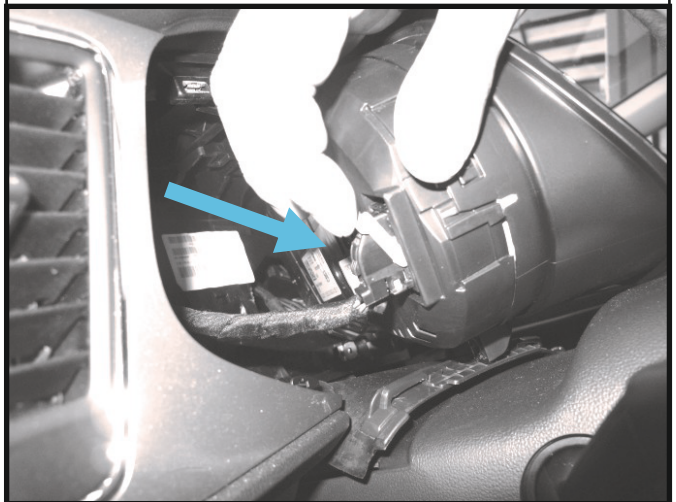
Instrument panel extraction



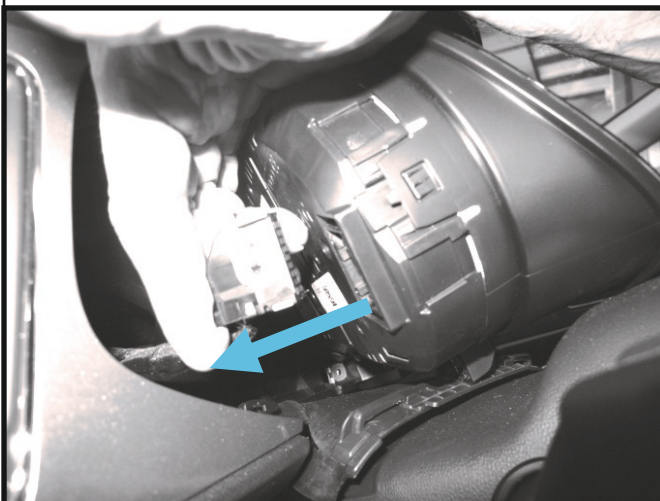
Instrument panel connector release procedure



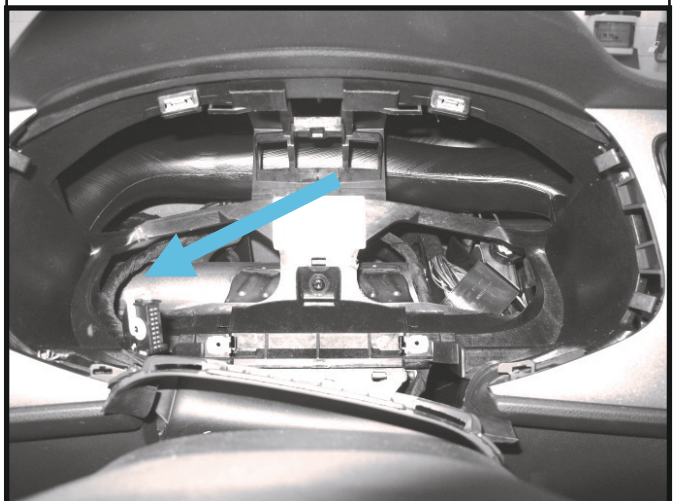
Connector release



Connector extraction

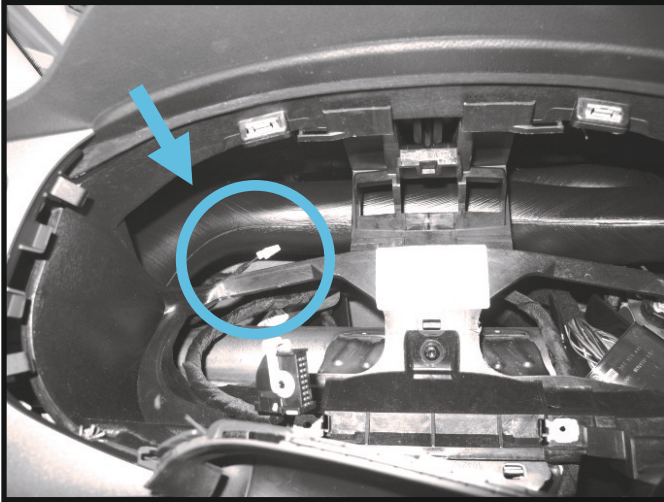


Introduction of the cable from the fuse box to the indicated point

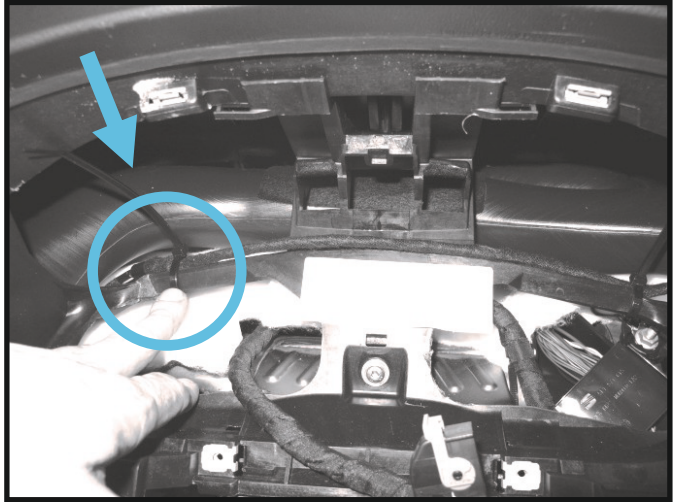


5.- Cable placement on the instrument panel

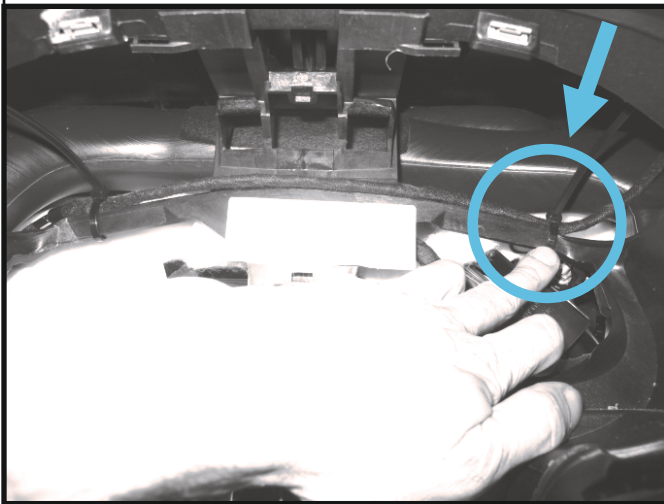
Introduction of the cable from the fuse box to the indicated point



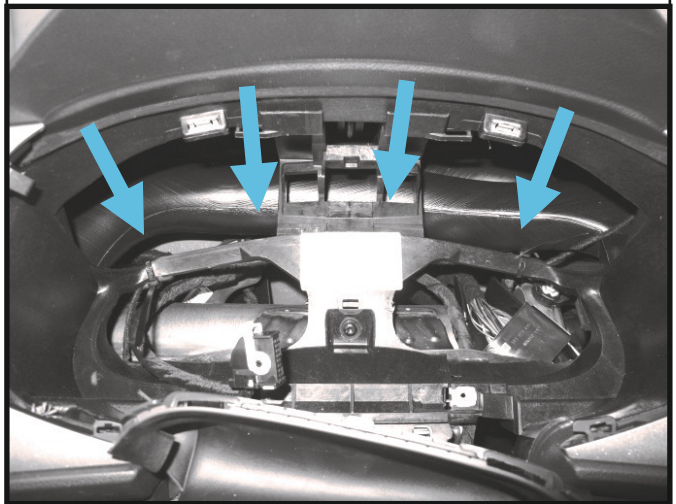
Fixation of the cable at this point with a fixing tie



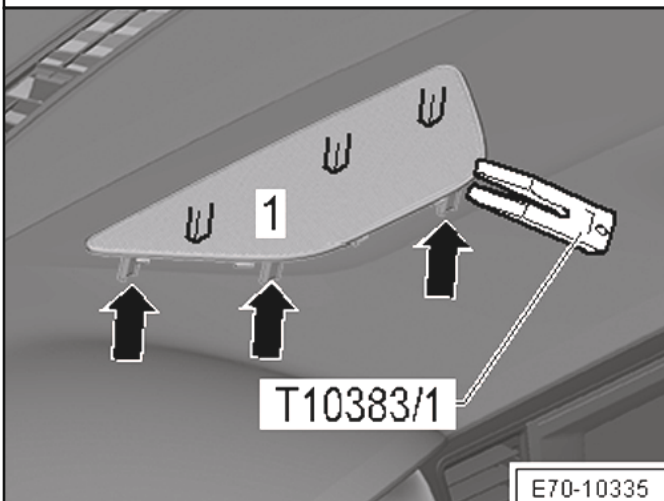
Second fixation point with another fixing tie



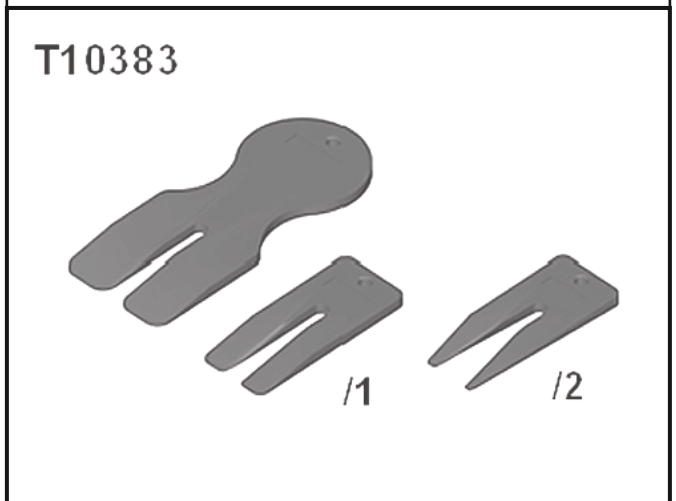
The cable must be hidden behind the indicated structure



Dashboard central grill extraction

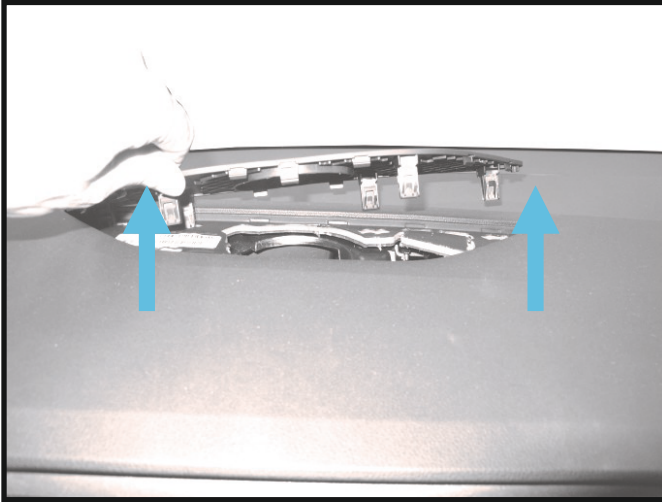


Necessary tool for the grill extraction



6.- Central grill and radio extraction

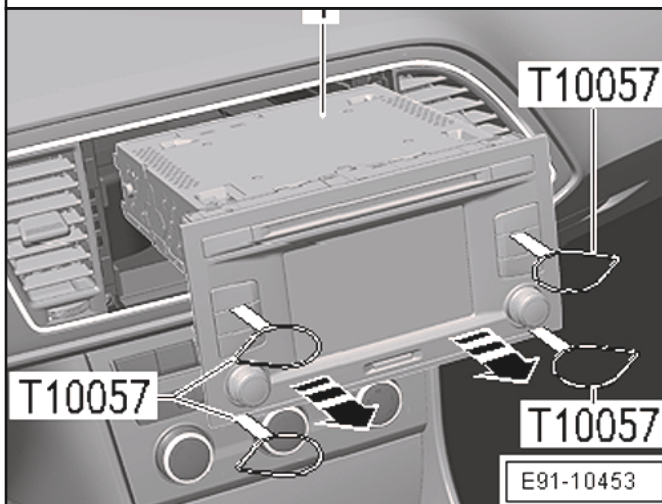
Grill extraction according the arrows direction



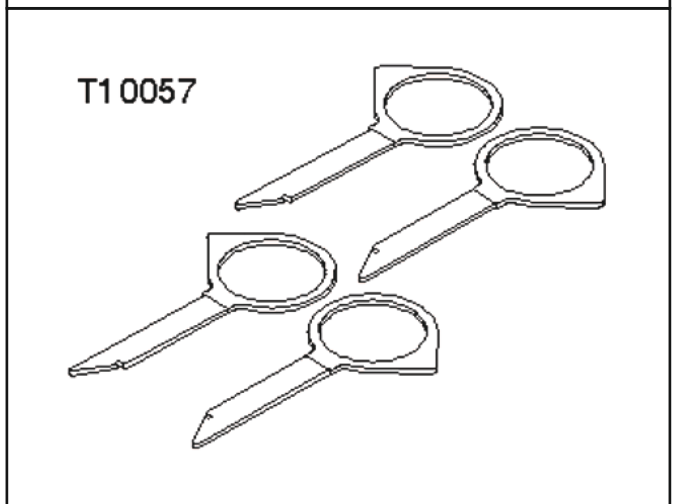
General view of the dashboard without the grill



Radio unit extraction



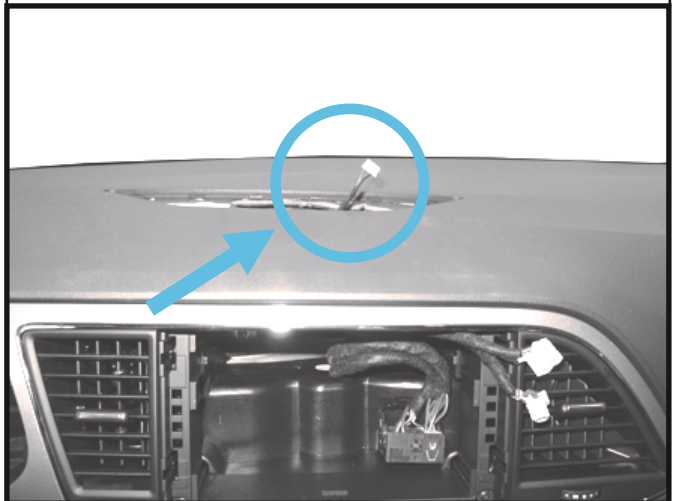
Necessary tool for the radio unit extraction



Released unit radio and ready to be disconnected

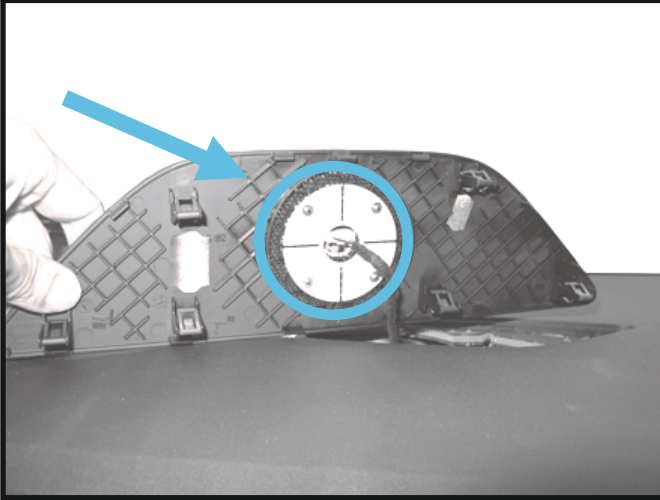


To move the cable from the intrum. panel through the dashboard to the indicated point

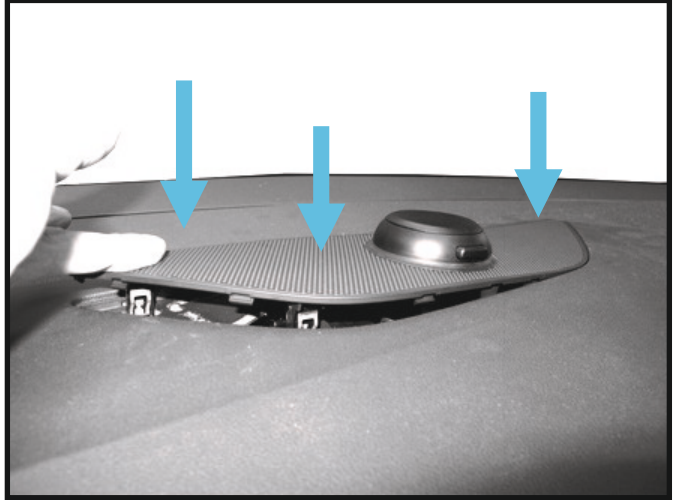


7.- Connection and placement of everything to the initial position

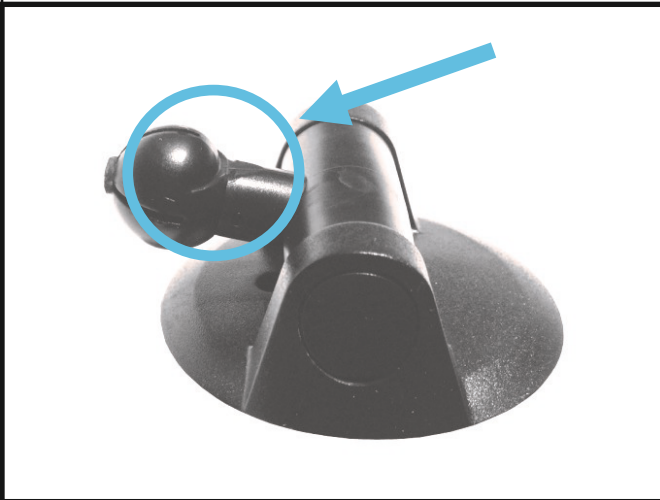
Connection of the cable to the holder connector



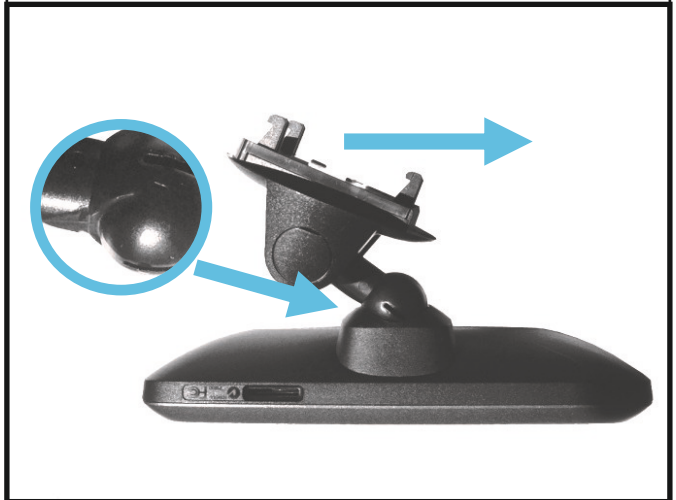
Set the grid to the board.



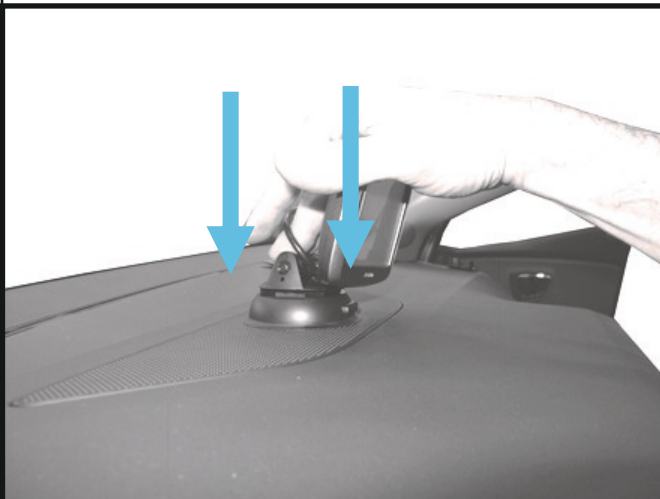
Locate insertion groove in the area of support.



Position the navigator to the coupling of the sphere.



Press uniformly over the base holder



Hand position to introduce the cap in the base holder

